

# PROFILE MANTEL AND PROFILE MANTEL SHELF INSTALLATION INSTRUCTIONS

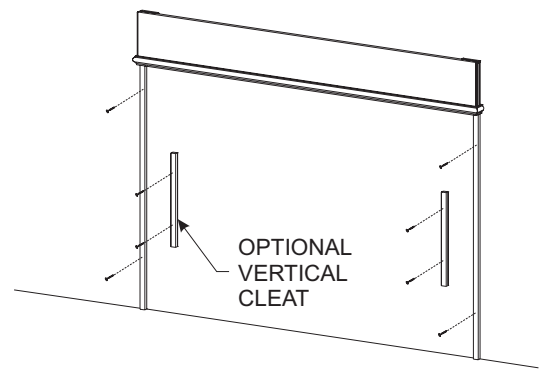
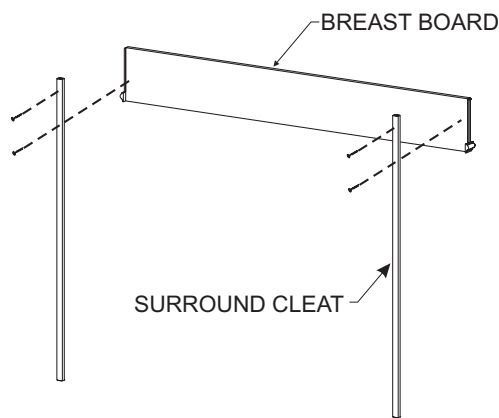
EFFECTIVE DATE JULY, 2007

**PROFILE MANTELS**  
MFL-48(UH, UHP, UHD, UHA, UHB, UHR, UHT)-1  
MFL-48(PG, PGP, PGD, PGA, PGB, PGR, PGT)-1  
MFL-52(UH, UHP, UHD, UHA, UHB, UHR, UHT)-1  
MFL-52(PG, PGP, PGD, PGA, PGB, PGR, PGT)-1  
**PROFILE MANTEL SHELVES**  
MS-48(UH, UHD, UHM, UHS)-1  
MS-48(PG, PGD, PGM, PGS)-1  
MS-60(UH, UHD, UHM, UHS)-1  
MS-60(PG, PGD, PGM, PGS)-1  
MS-72(UH, UHD, UHM, UHS)-1  
MS-72(PG, PGD, PGM, PGS)-1

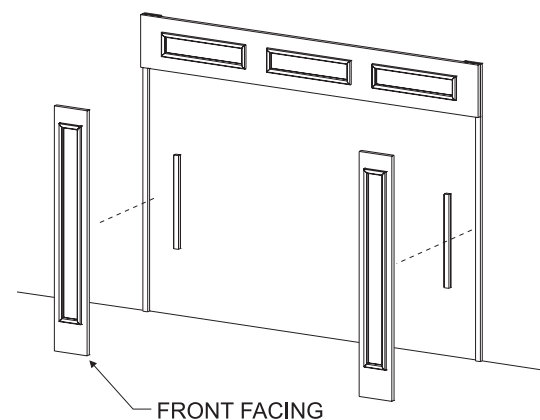
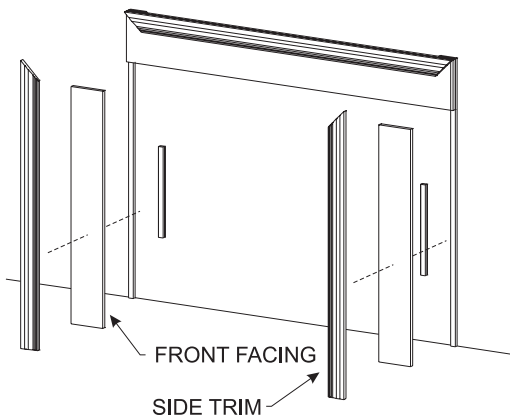
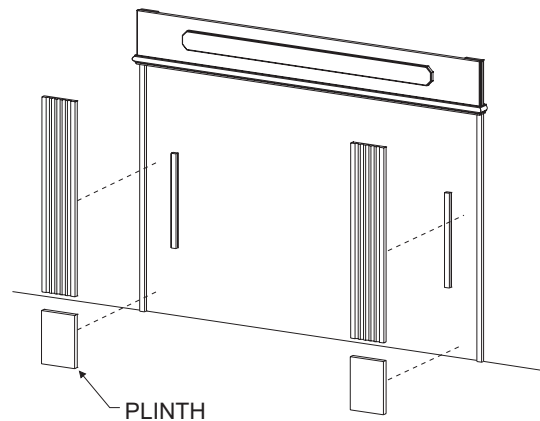
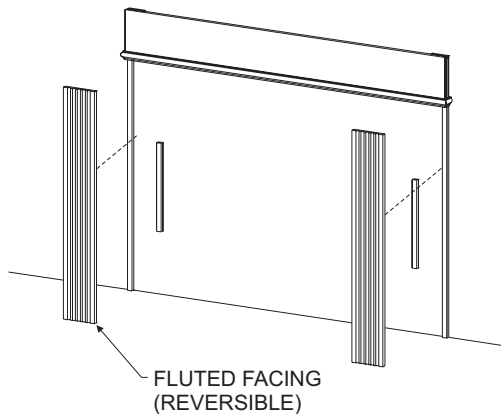
INSTRUCTIONS MUST BE LEFT WITH THE OWNER FOR FUTURE REFERENCE AFTER INSTALLATION.

## PROFILE MANTEL INSTALLATION INSTRUCTIONS

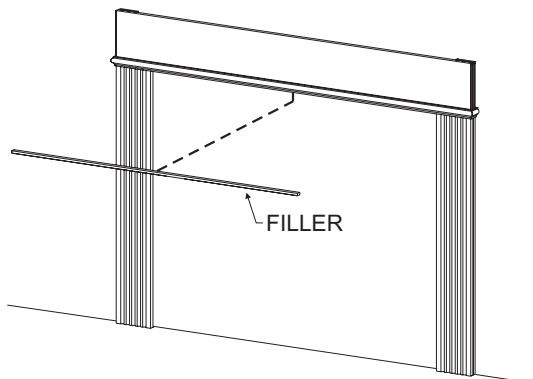
1. Align surround cleats flush with top and sides of breastboard. Attach each surround cleat to breastboard with two (2) 1/4" drywall screws.
2. Position breastboard and surround cleats against wall. Attach each surround cleat to wall with two (2) 3/8" dry wall screws.



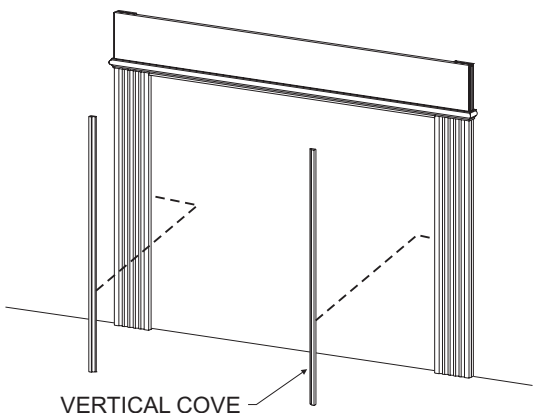
3. Attach front facing, plinths, and side trim to surround cleats with finishing nails.



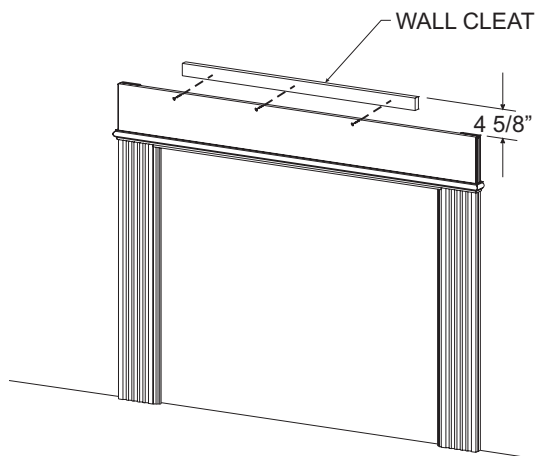
- At this time, you may install decorative stone or marble behind the fluting and breastboard.
- Align horizontal filler flush with front edge of underside of breastboard, attach horizontal filler to underside of breastboard with finishing nails.



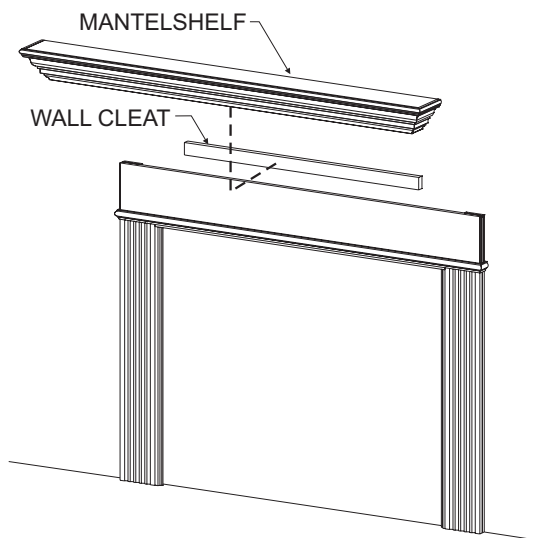
- Attach vertical cove to inside edge of fluting with finishing nails. The back surface of vertical cove must be flush with front surface of decorative stone or marble. The vertical cove will hold the decorative stone or marble in place.



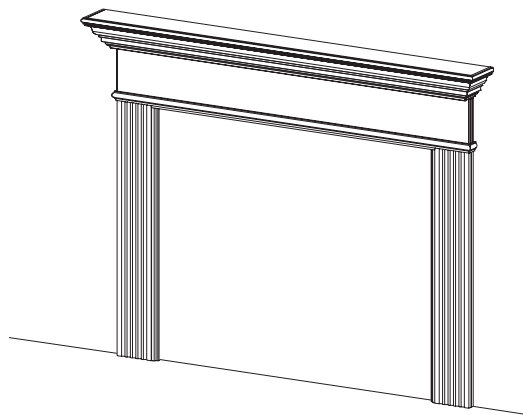
- Level and attach **top** of 1" X 2" X 42" wall cleat **4 5/8"** above **top** of breastboard to wall with (3) 3" drywall screws.



- Align and attach Mantelsheff to 1" X 2" X 42" wall cleat with finishing nails.

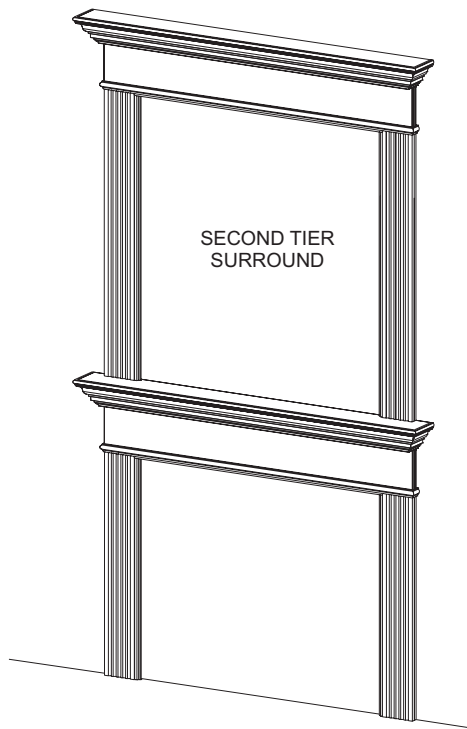


- Installation of Profile mantel is completed.



**NOTE:** These instructions apply to appliances manufactured by Empire Comfort Systems, Inc. When installing this product for use with other manufacturers' fireplaces, refer to their installation instructions for appropriate clearances to combustible materials.

For second tier surround installation, repeat steps 1 through 9.

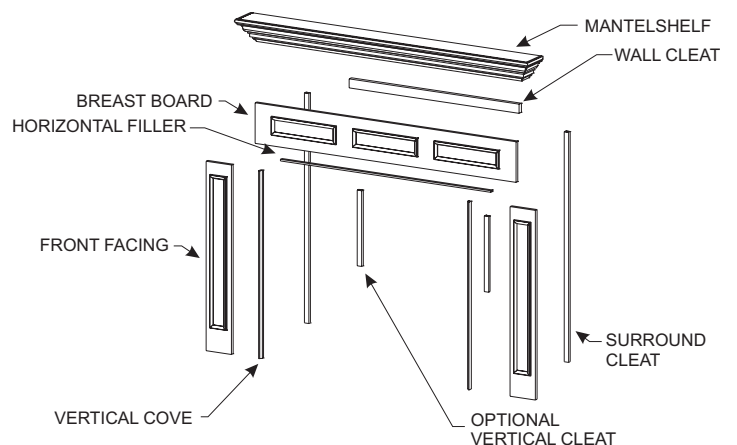
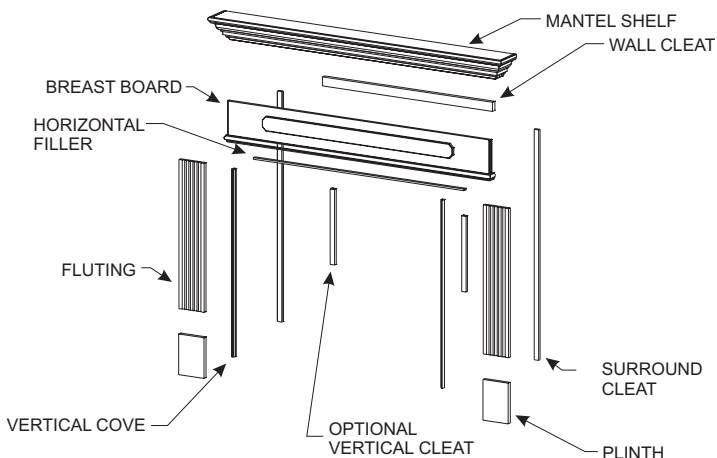
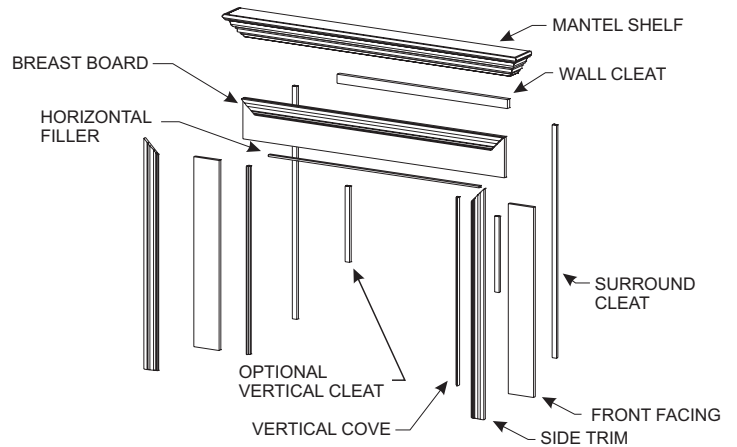
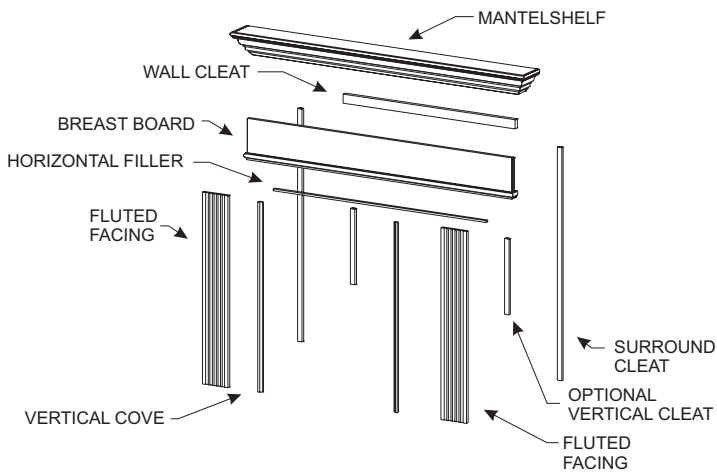
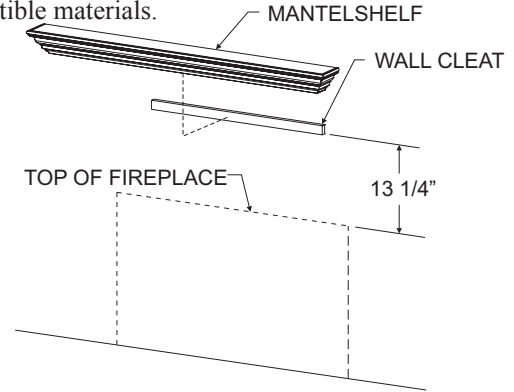


### PROFILE MANTELSHELF INSTALLATION INSTRUCTIONS

1. Level and attach **bottom** of 1" X 2" X 42" wall cleat a **minimum** of 13 1/4" above **top** of fireplace to wall with three (3) 3" drywall screws.
2. Align and attach shelf to 1" X 2" X 42" wall cleat with finishing nails. Pilot hole for finishing nail may be necessary.
3. Installation of shelf is complete.

This is a combustible material

**NOTE:** These instructions apply to appliances manufactured by Empire Comfort Systems, Inc. When installing this product for use with other manufacturers' fireplaces, refer to their installation instructions for appropriate clearances to combustible materials.





Empire Comfort Systems, Inc.  
918 Freeburg Ave. Belleville, IL 62220  
PH: 618-233-7420 or 800-851-3153  
FAX: 618-233-7097 or 800-443-8648  
info@empirecomfort.com

[www.empirecomfort.com](http://www.empirecomfort.com)